



David Round, Inc.
Ruger Division
32405 Aurora Road
Solon, OH 44139
Phone: 440-248-4700
Fax: 440-248-8544
www.rugerindustries.com

SAVE S TIME

STRONG

TOUGH

360° ROTATION

TM-3

- 6000 lb. Capacity
- 360 degree boom rotation

ACCESSORIES

- Barrel Grip
- Extension Boom
- Truck crane mast complete (less mounting socket, mounting brackets and stabilizer)
- Mounting brackets for installing socket on truck
- Stabilizer only (screw type)
- Extra truck crane wells available for truck or pedestal mountings
- Wireless Remote

STANDARD FEATURES

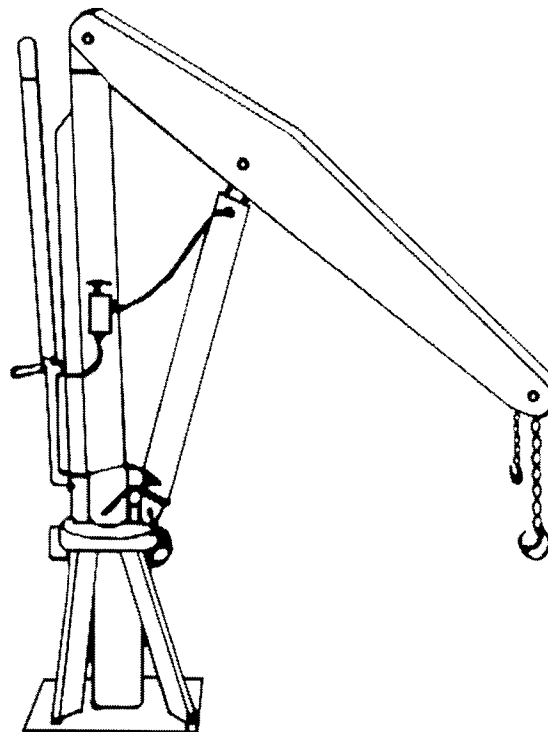
- Meets Ruger's engineering standards 150% structural overload of maximum rated capacity
- 360 degree boom rotation
- Built-in hydraulic overload relief valve
- Adjustable brake to control rotation
- Needle type release valve permits pin-point control over lowering and holding of heaviest or lightest loads
- Truck crane well
- Mounted on Timken tapered roller bearings for easy rotation under maximum loads
- Swivel hook with safety latch and chain to support heavy loads

Prices, Specifications, and Options are subject to Change Without Notice.

All Ruger products are shipped F.O.B. Solon, Ohio 44139,
Unit Ships-NMFC #189240 - Class 70 Shipping Wt. 900 lbs

FAX: 440-248-8544

E-mail: info@davidround.com



The TM-3 is the ultimate truck crane for the really heavy and tough jobs. Tested and exceeds ANSI/ASME PALD-12C standards. Meets ANSI Z.535



David Round, Inc.
 Ruger Division
 32405 Aurora Road
 Solon, OH 44139
 Phone: 440-248-4700
 Fax: 440-248-8544
 www.rugerindustries.com

MORE REACH

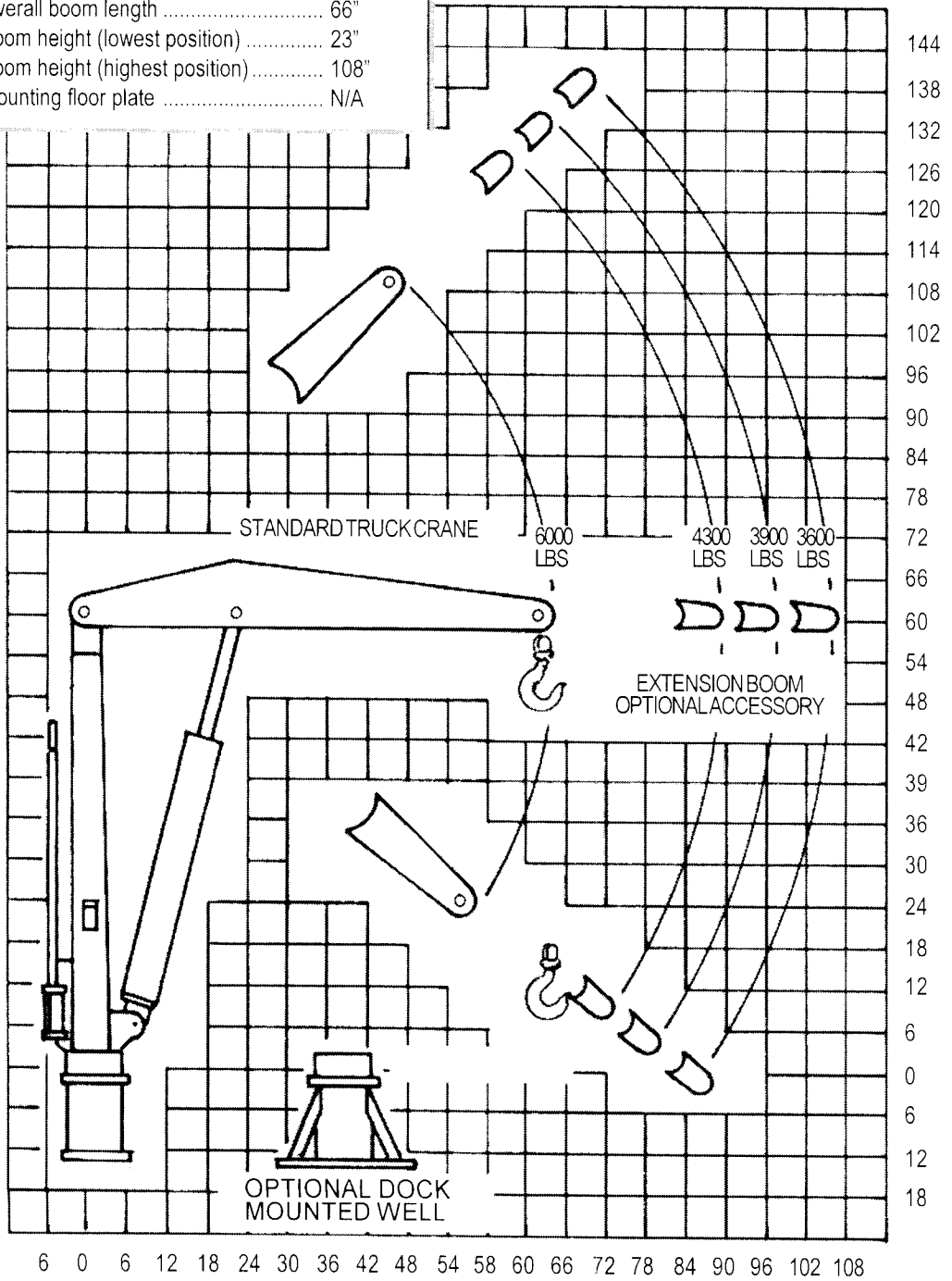
AFFORDABLE

VE RSA TILE

360° ROTATION

MODEL: TM-3

| | |
|--------------------------------------|----------|
| Model | TM-3 |
| Capacity | 6000 lbs |
| Overall height | 64 1/4" |
| Overall boom length | 66" |
| Boom height (lowest position) | 23" |
| Boom height (highest position) | 108" |
| Mounting floor plate | N/A |



PUMPING CYCLES
 needed to raise boom
 through full travel; 35 with
 crane set for speed and 60
 for crane set for power.

Certain models can be
 shipped **NEXT DAY.**

NOTE:
 Ruger can modify
 any standard
 dimensions
 to meet specific
 customer needs.