

# Powered 500 lb. to 1,000 lb.

Electric | Air | Hydraulic

## Rocket 51 Series

Versatile utility winch well-suited for industrial and construction projects

With some models weighing just 100 pounds, this 1,000 pound single line capacity winch is ideal for various pulling and lifting projects.

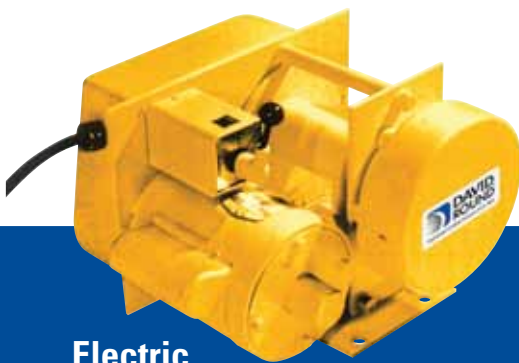
This winch offers line speeds up to 40 feet per minute while storing up to 170 feet of 1/4 inch diameter wire rope.

While a mechanical load brake is standard, an optional motor brake is available to provide additional security on lifting applications.

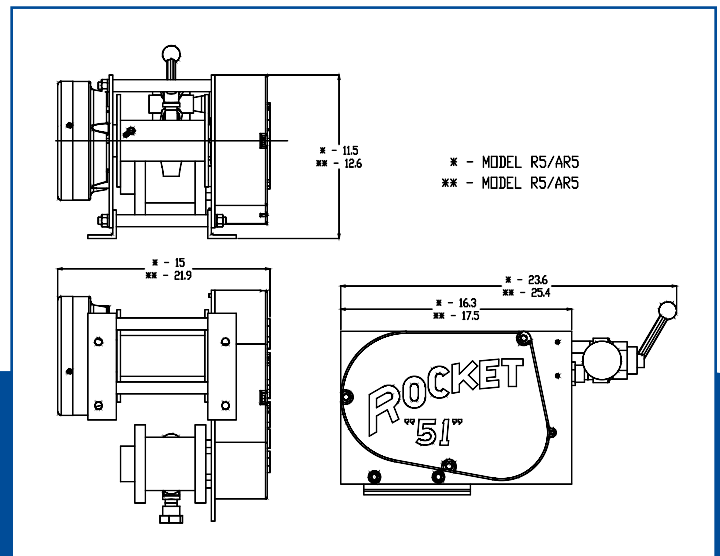
An optional block and hook assembly is commonly used to double the capacity of this winch.



Air



Electric



### Technical Specifications

	Model No.	Load Capacity (lbs.)	Line Speed (ft./min.)	Drum Capacity		Weight (lbs.)
				Rope Size (in.)	Length (ft.)	
AIR ELECTRIC	R5	500	40	1/4	125	100
	R10	1,000	40	1/4	170	135
	AR5	500	40	1/4	125	100
	AR10	1,000	40	1/4	170	135

Information on other models available from a David Round representative.