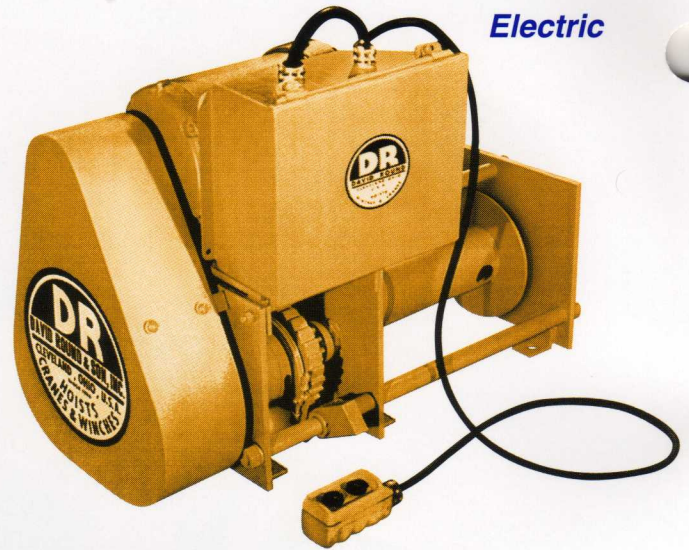


Air



Electric

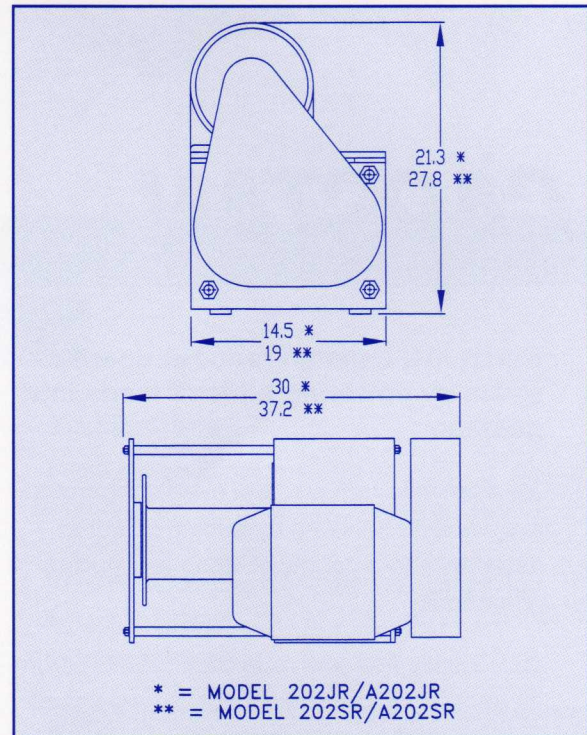
202 SERIES

Reliable winch for larger loads and more demanding applications

Storing over 400 feet of 1/2 inch diameter wire rope, this 5 ton single line load capacity winch is proven in many industrial, marine and construction applications. A 2 ton unit is also available.

By adding free-spooling and grooved drums, emergency hand cranks, divider flanges and limit switches, specific requirements are easily addressed.

While a single mechanical load brake is standard, a secondary motor brake is available and recommended for lifting applications.



All dimensions are in inches.

| Technical Specifications | | | | | | |
|--------------------------|-----------|----------------------|-----------------------|-----------------|--------------|---------------|
| | Model No. | Load Capacity (lbs.) | Line Speed (ft./min.) | Drum Capacity | | Weight (lbs.) |
| | | | | Rope Size (in.) | Length (ft.) | |
| ELEC | 202JR | 4,000 | 19 | 3/8 | 230 | 350 |
| | 202SR | 10,000 | 14 | 1/2 | 420 | 550 |
| AIR | A202JR | 4,000 | 15 | 3/8 | 230 | 275 |
| | A202SR | 10,000 | 11 | 1/2 | 420 | 425 |

Information on other models available from a David Round representative.

LOAD CAPACITY RATED FOR SINGLE LINE PULL. THIS EQUIPMENT IS NOT TO BE USED FOR LIFTING OR SUPPORTING PEOPLE.