

Electric



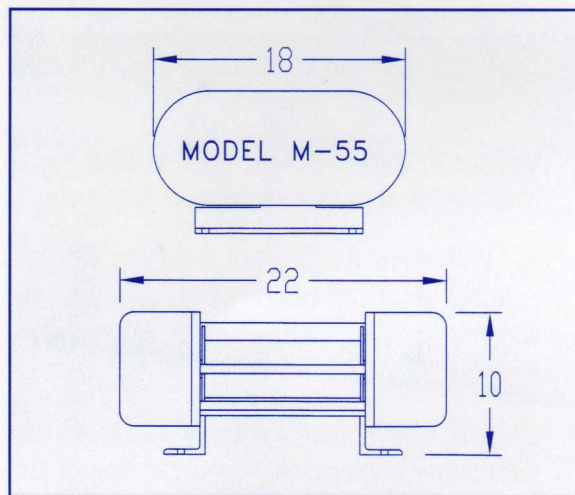
Air

# M55

SERIES

## High-speed winch ideal for base-mounted lifting applications

- Efficient spur gearing powers line speeds up to 100 feet per minute with single line load capacities up to 1,000 pounds.
- The grooved drum ensures consistent rope take-up and precise load placement while accepting up to 175 feet of 1/4 inch diameter wire rope.
- With a standard electric motor brake, mechanical load brake and push-button controls, this winch is ideal for lifting applications.
- Limit switches, emergency hand cranks and drum divider flanges are available.



All dimensions are in inches.

### Technical Specifications

	Model No.	Load Capacity (lbs.)	Line Speed (ft./min.)	Drum Capacity		Weight (lbs.)
				Rope Size (in.)	Length (ft.)	
ELECTRIC	4W	500	70	1/4	175	130
	5W	500	100	1/4	175	140
	8W	1,000	35	1/4	175	145
	10W	1,000	50	1/4	175	145
AIR	A3W	500	70	1/4	175	130
	A8W	1,000	35	1/4	175	145

Information on other models available from a David Round representative.

LOAD CAPACITY RATED FOR SINGLE LINE PULL. THIS EQUIPMENT IS NOT TO BE USED FOR LIFTING OR SUPPORTING PEOPLE.