



David Round, Inc.
Ruger Division
32405 Aurora Road
Solon, OH 44139
Phone: 440-248-4700
Fax: 440-248-8544
www.rugerindustries.com

VE RSA TILE

COMPACT

AFFORDABLE

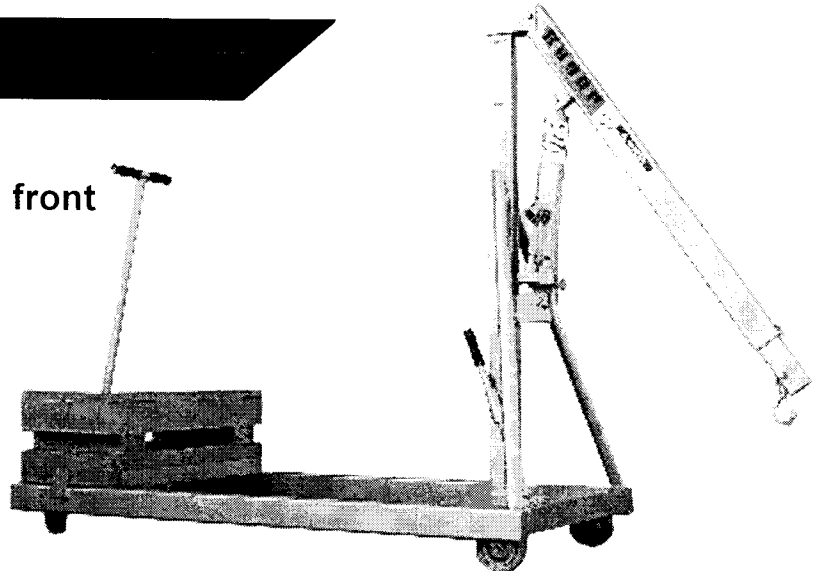
RE LIAB LE

RC750R

- 750 lb. Capacity
- Reversed base eliminates front leg straddle problems

ACCESSORIES

- Barrel Grip
- Floor Lock
- EZ Steer
- Polyurethane or steel wheels



STANDARD FEATURES

- Meets Ruger's engineering standards of 150% structural overload of maximum rated capacity
- All counterbalanced units are built to exceed 125% stability factor
- Completely self-contained hydraulic system with single action jack
- Built-in hydraulic overload relief valve (An original Ruger patent)
- Needle type release valve permits pinpoint control over lowering and holding from the lightest to the heaviest loads
- Adjustable built-in telescopic boom
- Standard casters with phenolic resin wheels and roller bearings
- Swivel hook with safety latch to support heavy loads

Prices, Specifications, and Options are subject to Change Without Notice.

All Ruger products are shipped F.O.B. Solon, Ohio 44139
Unit Ships-NMFC #189240 - Class 85 Shipping Wt: 200 lbs
Counterweight Ships-NMFC #107420 - CLASS 50 Shipping Wt. 895 lbs

FAX: 440-248-8544

E-mail: info@davidround.com

The RC750R has a built-in manual telescopic boom extension for more reach and height. Tested and exceeds ANSI/ASME PALD-12C standards. Meets ANSI Z.535



David Round, Inc.
 Ruger Division
 32405 Aurora Road
 Solon, OH 44139
 Phone: 440-248-4700
 Fax: 440-248-8544
 www.rugerindustries.com

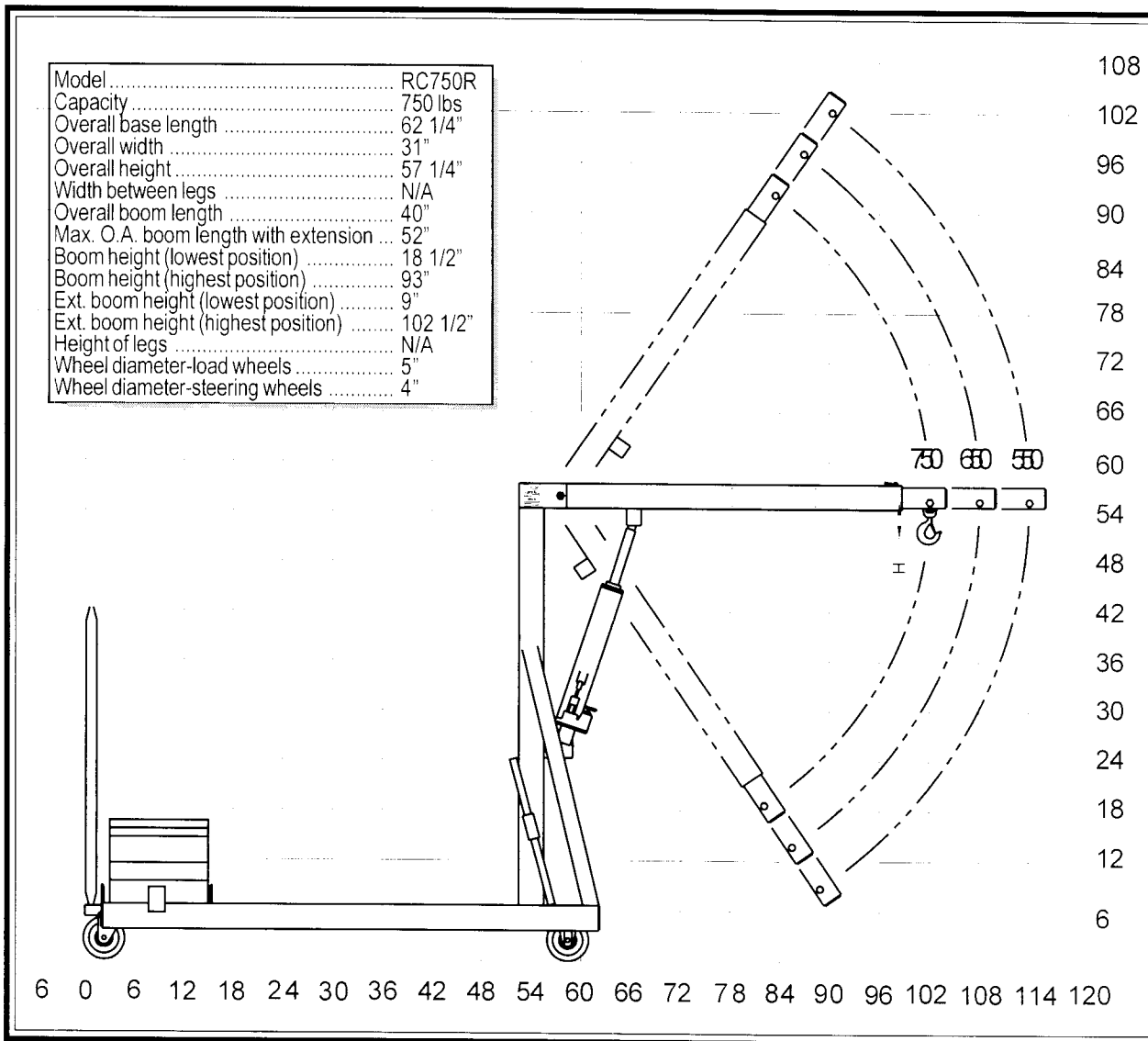
VE RSA TILE

COMPACT

AFFORDABLE

RE LIAB LE

MODEL: RC750R



PUMPING CYCLES needed to raise boom through full travel: 90.

Certain models can be shipped NEXT DAY.

NOTE: Ruger can modify any standard dimensions to meet specific customer needs.