



David Round, Inc.
Ruger Division
10200 Wellman Road
Streetsboro, OH 44241
Phone: 440-248-4700
Fax: 440-248-8544
www.rugerindustries.com

ADJUSTABLE

RELIABLE

POWERFUL

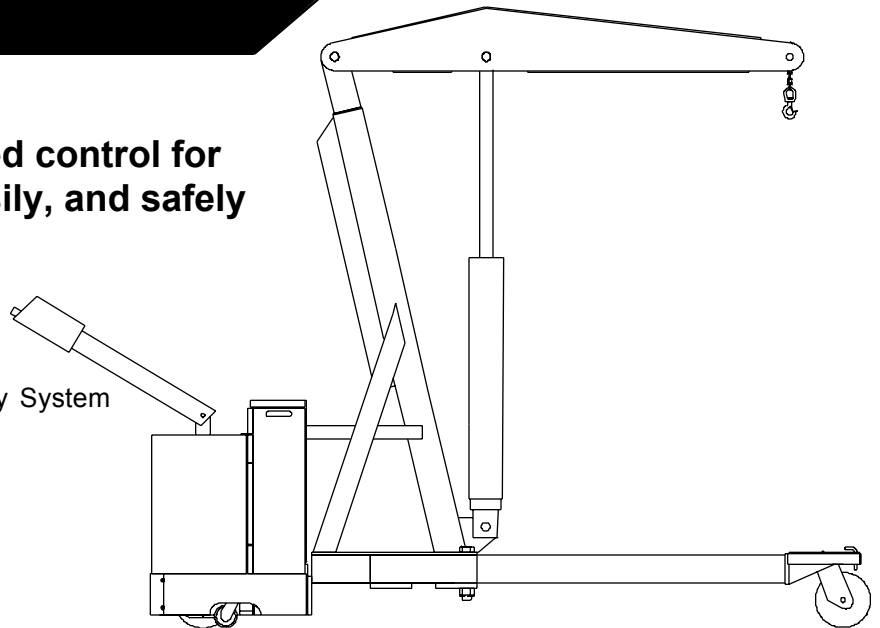
VERSATILE

FP-3A

- **6000 lb. Capacity**
- **Forward and reverse speed control for moving loads quickly, easily, and safely**

ACCESSORIES

- Hour Meter
- Remote Control Pendant
- Wireless Remote Control
- 24 V. Industrial Quick-Change Battery System
(add 6" to overall length)
- Power Hoist
- Power In/Out Boom
- Sealed Maintenance Free Battery



STANDARD FEATURES

- Meets Ruger's engineering standards of 150% structural overload of maximum rated capacity
- Built-in hydraulic overload relief valve
- Pressure-compensated flow valve permits pin-point control while lifting heavy or light loads
- Polyurethane drive wheel, load wheels and casters
- Manual extension boom for more reach and height
- Infinite Variable Speed Control
- Solid State Circuitry
- 225 amp/hr batteries and 25 amp, 24 volt on-board charger
- Stabilizing casters and spring loaded drive wheel
- Dynamic brake
- Key lock and battery condition indicator

Prices, Specifications, and Options are subject to Change Without Notice.

All Ruger products are shipped F.O.B. Streetsboro, Ohio 44241
Unit Ships-NMFC #189240 - Class 85 Shipping Wt. 2150 lbs

FAX: 440-248-8544

E-mail: info@davidround.com

The FP-3A was designed with adjustable legs that open wide to easily straddle oversized loads. Tested and exceeds ANSI/ASME B56.7 standards. Meets ANSI Z.535



David Round, Inc.
 Ruger Division
 10200 Wellman Road
 Streetsboro, OH 44241
 Phone: 440-248-4700
 Fax: 440-248-8544
 www.rugerindustries.com

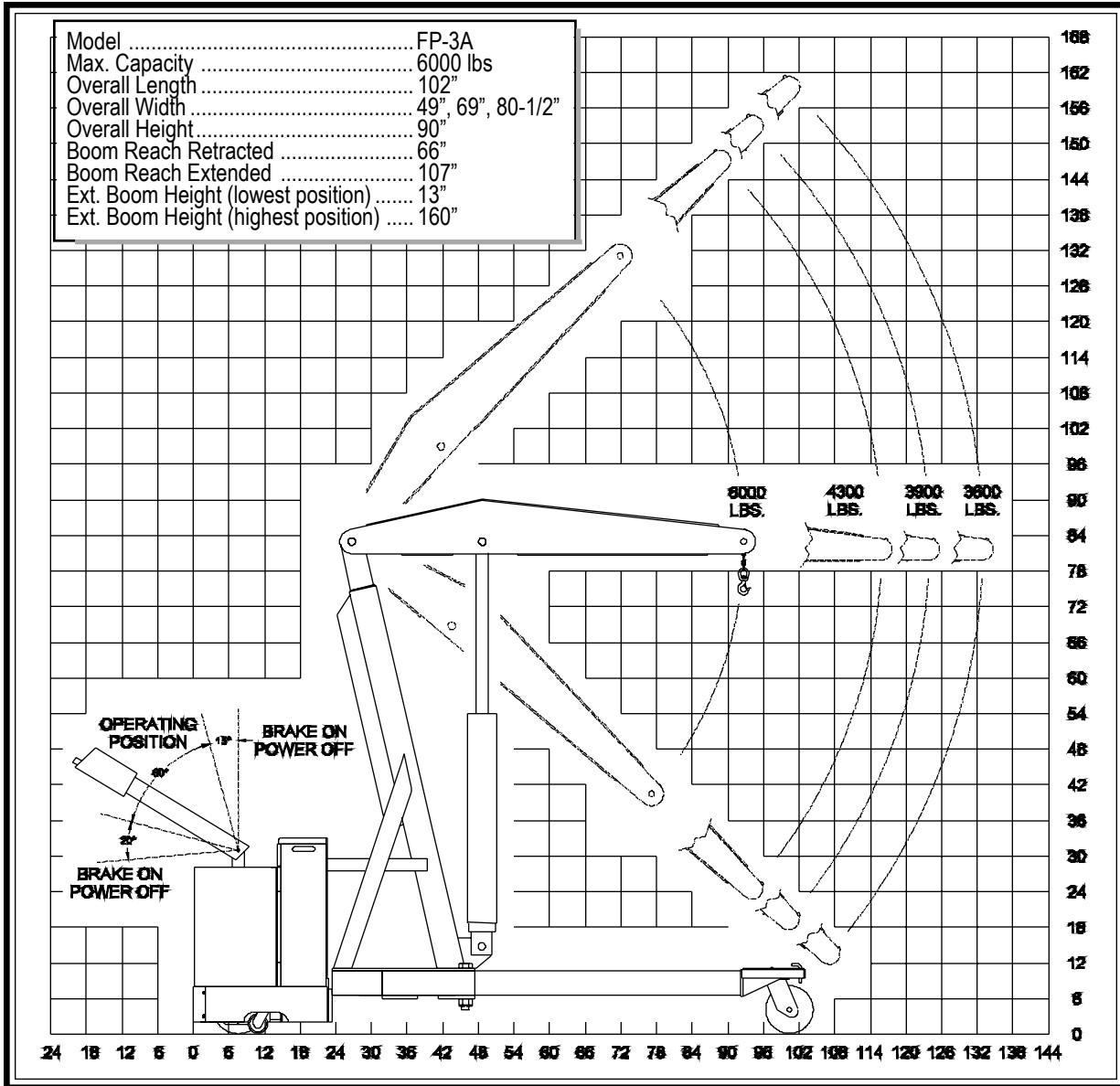
ADJUSTABLE

RELIABLE

POWERFUL

VERSATILE

MODEL: FP-3A



NOTE: Ruger can modify any standard dimensions to meet specific customer needs.