



David Round, Inc.
Ruger Division1
0200 Wellman Rad
Streetsboro, OH 44241
Phone: 440-248-4700
Fax: 440-248-8544
www.rugerindustries.com

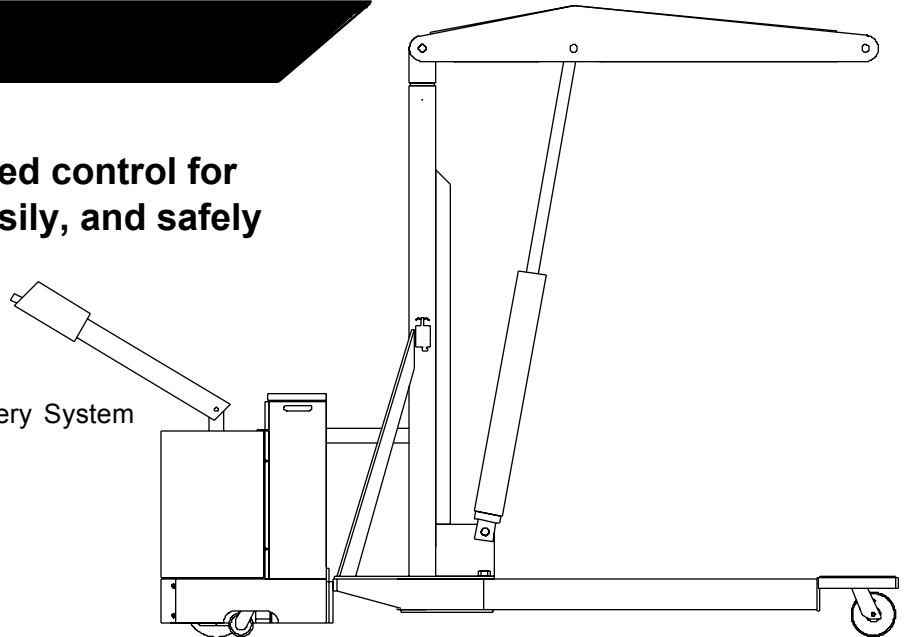
FULL POWER**ADJUSTABLE****POWERFUL****FLEXIBLE**

FP-2A

- **4000 lb. Capacity**
- **Forward and reverse speed control for moving loads quickly, easily, and safely**

ACCESSORIES

- Hour Meter
- Remote Control Pendant
- Wireless Remote Control
- 24 V. Industrial Quick-Change Battery System
(add 6" to overall length)
- Power Hoist
- Power In/Out Boom
- Sealed Maintenance Free Battery



STANDARD FEATURES

- Meets Ruger's engineering standards of 150% structural overload of maximum rated capacity
- Built-in hydraulic overload relief valve
- Pressure-compensated flow valve permits pin-point control while lifting heavy or light loads
- Polyurethane drive wheel, load wheels and casters
- Manual extension boom for more reach and height
- Infinite Variable Speed Control
- Solid State Circuitry
- 225 amp/hr batteries and 25 amp, 24 volt on-board charger
- Dynamic brake
- Key lock and battery condition indicator

Prices, Specifications, and Options are subject to Change Without Notice.

All Ruger products are shipped F.O.B. Streetsboro, Ohio 44241
Unit Ships-NMFC #189240 - Class 85 Shipping Wt. 1500 lbs

FAX: 440-248-8544

E-mail: info@davidround.com

The FP-2A, adjustable legs open to 3 widths. This unique feature provides even more versatility and greater flexibility. Tested and exceeds ANSI/ASME B56.7 standards. Meets ANSI Z.535



David Round, Inc.
 Ruger Division
 10200 Wellman Road
 Streetsboro, OH 44241
 Phone: 440-248-4700
 Fax: 440-248-8544
 www.rugerindustries.com

FULL POWER

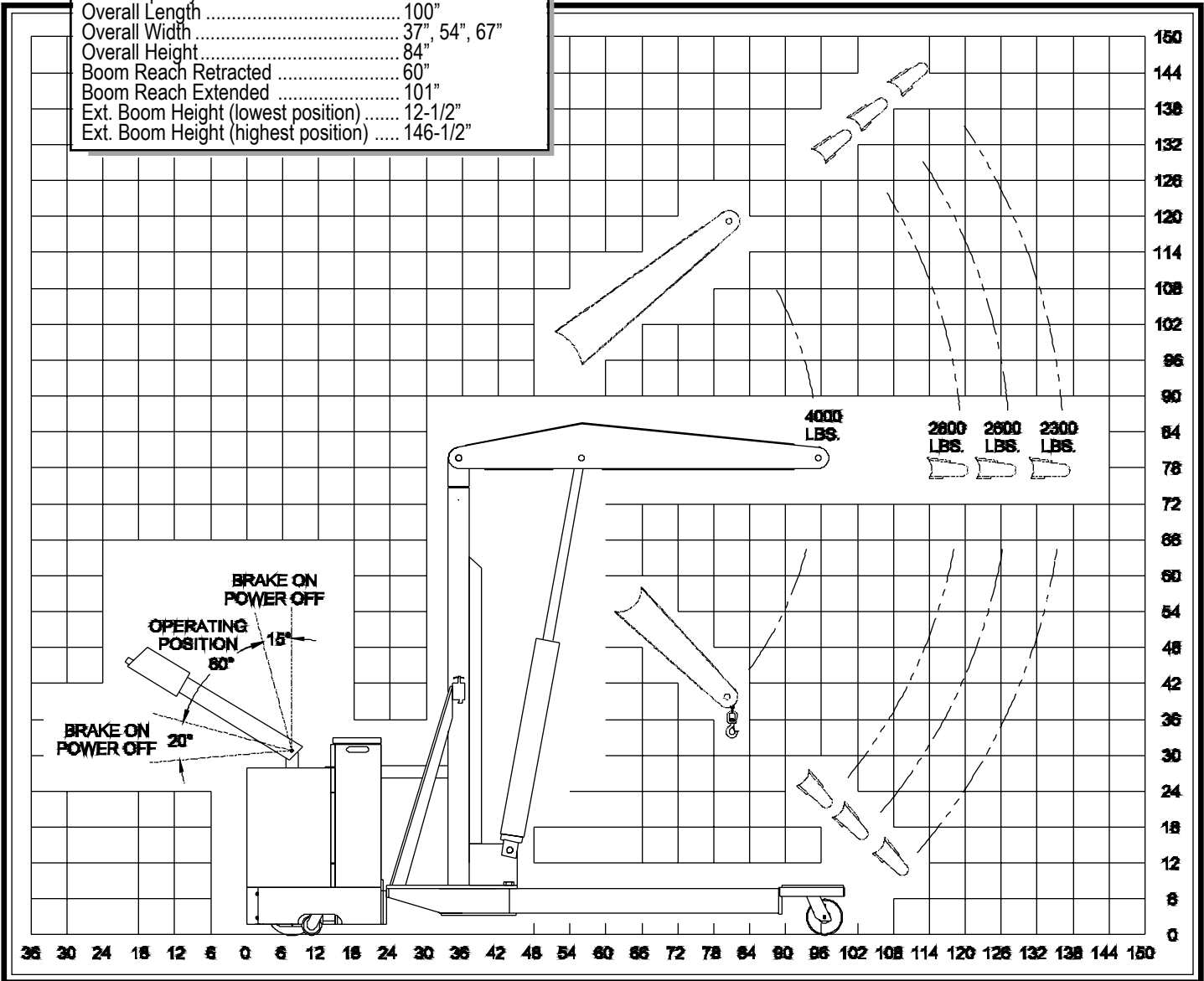
ADJUSTABLE

POWERFUL

FLEXIBLE

MODEL: FP-2A

Model	FP-2A
Max. Capacity	4000 lbs
Overall Length	100"
Overall Width	37", 54", 67"
Overall Height	84"
Boom Reach Retracted	60"
Boom Reach Extended	101"
Ext. Boom Height (lowest position)	12-1/2"
Ext. Boom Height (highest position)	146-1/2"



NOTE: Ruger can modify any standard dimensions to meet specific customer needs.